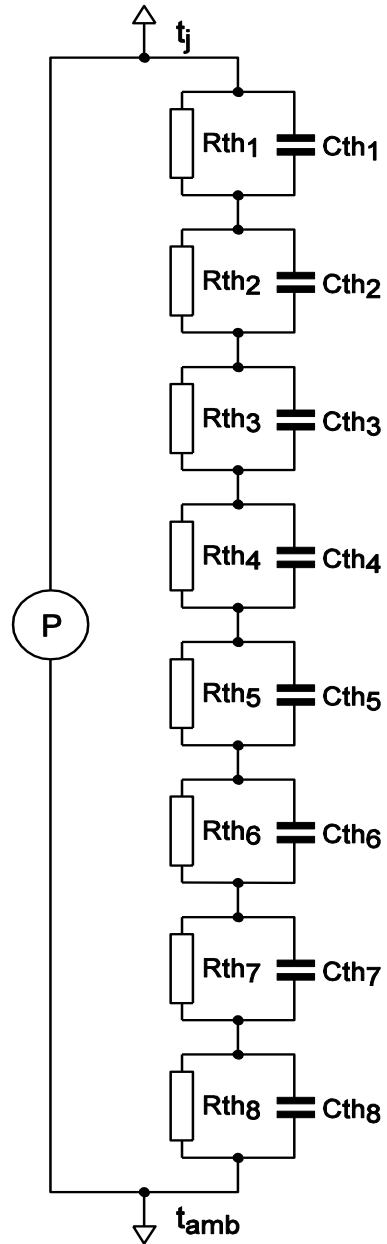


SPICE thermal model

BUK6218-40C

Symbol	Parameter	Conditions	Min	Typ	Max	Unit
$R_{th(j-mb)}$	thermal resistance from junction to mounting base		-	-	2.52	K/W

Cth ₁	1.100E-02 F
Cth ₂	1.644E-03 F
Cth ₃	4.008E-04 F
Cth ₄	9.768E-05 F
Cth ₅	2.381E-05 F
Cth ₆	5.803E-06 F
Cth ₇	1.415E-06 F
Cth ₈	3.448E-07 F
Rth ₁	1.537E+00 Ω
Rth ₂	7.070E-01 Ω
Rth ₃	1.980E-01 Ω
Rth ₄	5.600E-02 Ω
Rth ₅	1.600E-02 Ω
Rth ₆	4.384E-03 Ω
Rth ₇	1.230E-03 Ω
Rth ₈	3.452E-04 Ω



001aal768

Part: BUK6218-40C
 Version: 1
 Date: 7-7-2010
 Rth: 2.515893709